

SC-MZ15 & SC-MZ17

Manually Foldable Monitor



Keywords

- Thinbezel
- Anti-glaretreatment
- Portable
- Nocuttinginthetable
- DC12Vpowersupply



Specification

● Display

screen size	15.6 inch	17.3 inch
matrix type	IPS	
resolution	1920*1080	
brightness	400cd/m ²	250cd/m ²
contrast ratio	800:1	
aspect ratio	16:9	
view angle	85/85/85/85	
backlight lifespan	15000 hours	
response time	30(Typ.)(Tr+Td)ms	16(Typ.)(Tr+Td)ms
screen tilt	0-90° manually adjustable	
touch (if have)	10 point capacity	

● Electrical

Signal input	HDMI*1	Mini HDMI*2
Touch input (if have)	USB	
Terminal block	PC switch+signal switch	
Power supply	DC12V	
Power consumption	≤30W	

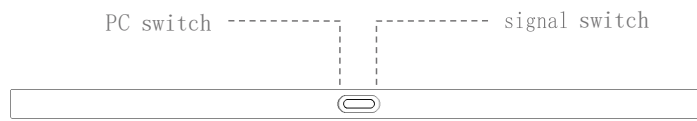
● Mechanism

material	anodized aluminium	
finishing	black/silver	black/silver, matt/brushed customization available
G.W.	4 kgs	5.5 kgs
packing dimension	500*360*105mm	
temperature	working 0°C~+50°C, storage -20°C~+60°C	
humidity	working ≤90%, storage ≤90%	

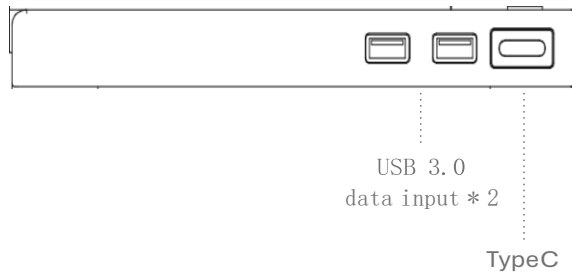
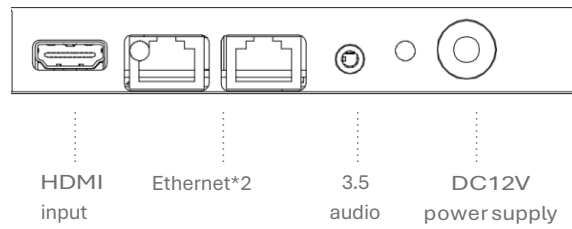
Above specifications are subject to change without prior notice, explanation right reserved.

SC-MZ15 -Architecture

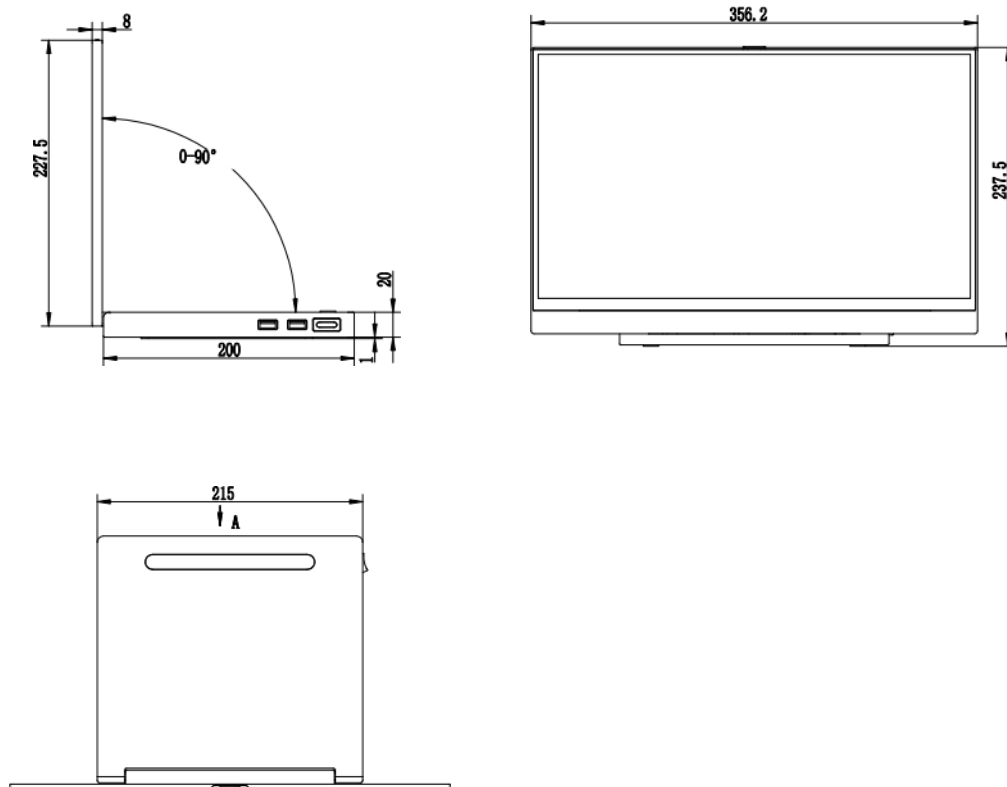
Cover plate



Connectors on the housing

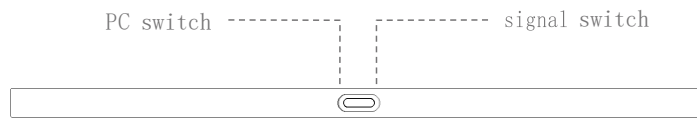


Dimensions

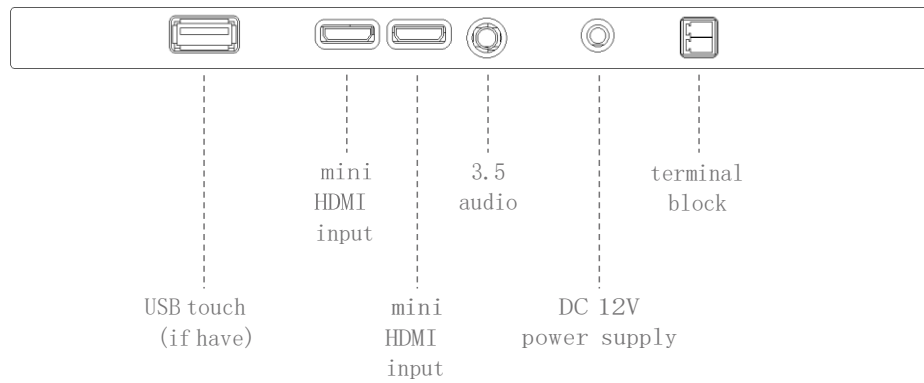


SC-MZ17 -Architecture

Cover plate



Connectors on the housing



Dimensions

